








635 & 636 Series AC Hour Meters (ETI's)

-  24, 120, 240 VAC Operating voltage
-  Continuous duty, rugged design
-  Tamper resistant
-  Permanently lubricated
-  6 Figure display: 99999.9
-  Round or rectangle bezel mounting
-  UL Approved



Rectangle Bezel
Model #635 Non-resettable



Round Bezel
Model #636 Resettable

Cramer AC Hour Meters can be found in these applications and more:



CNC Machine Tools



Waste Water Treatment



Construction Equipment



Control Panels

635 & 636 Series AC Hour Meters (ETI's)

Applications

CNC Machine Tools



Construction Equipment



Waste Water Treatment

Control Panels



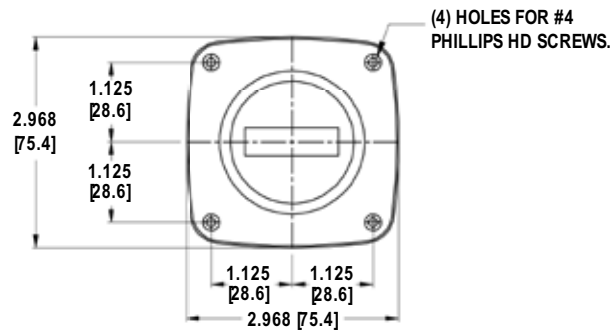
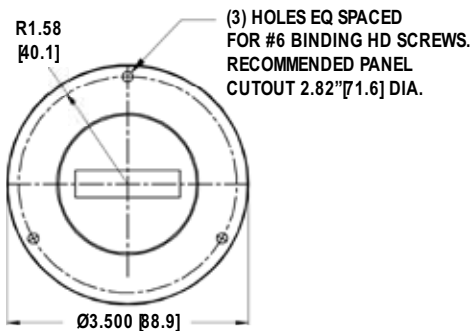
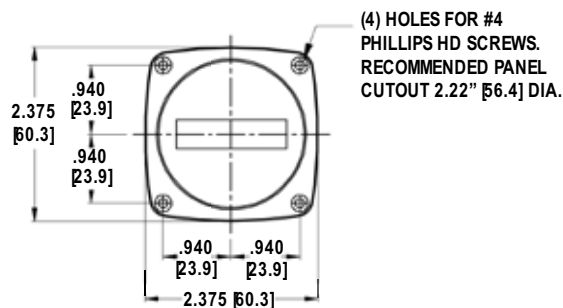
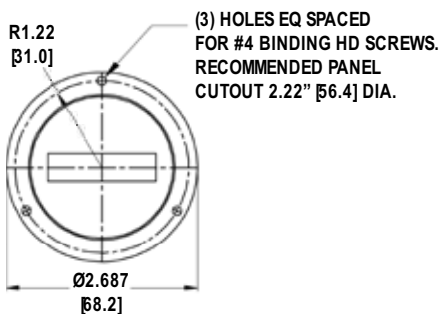
Dimensions



Model #635 Non-resettable
Round & Square Bezel



Model #636 Resettable
Round & Square Bezel



Specifications

Model	635	636
Display	6 Figure; 99999.9	
Time Registration	Minutes or Hours (Seconds Special Order)	Seconds, Minutes or Hours
Resettable	Not available	Push button
Motor Specification	24, 120, 240 VAC; 50 or 60hz	
Power	2.7 Watts	
Operating Temperature Range	-4°F to 131°F (-20°C to 55°C)	
Electrical Connection	6" (15 mm) Leads, 22 gauge wire	
Front Panel Mounting	3 hole Round, 4 hole Square	
Agency Approval	UL	

Options

- Bezel Style: S, E, Y or X
- Resettable and Non-resettable



M.H. Rhodes Cramer Company
105 Nutmeg Road South • South Windsor, CT 06074 USA
Toll Free: 877.684.6464 • PH: 860.291.8402 • FX: 860.620.0897

www.mhrhodes.com